

Installation Instruction for Shadow SH EBP

Endpin preamp with piezo under saddle pickup

Content:

Endpin preamp,
Piezo under saddle pickup,
Battery holder,
Battery velcro

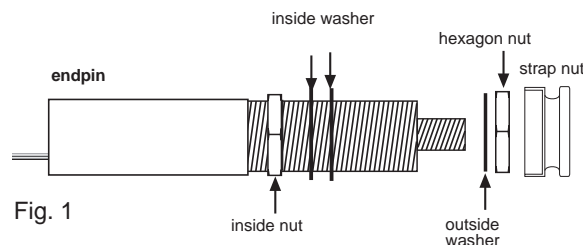
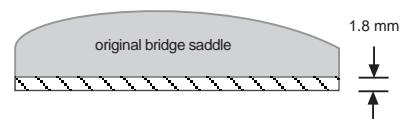


Fig. 1

1. Take off strings, remove original strap nut and increase hole up to 12mm diameter. .

2. Take off original saddle, place piezo pickup with the output cable towards the lower E-string (E6) and mark, where to drill the 3mm hole.

Fig. 2



3. Clean up the saddle slot and eliminate the wood dust from the inside of the instrument.

4. Put the pickup cable through the hole in the bridge and place the pickup into the bridge.

5. To accommodate the height of the original bridge reduce of the thickness of the pickup (Fig. 2). Pay attention, that the bottom side has to be absolutely flat.

6. Screw the battery holder onto the base of the neck and connect the battery. Attach the battery holder with the supplied Velcro.

7. Remove strap nut, hexagon nut and washer from the endpin (Fig. 1).

9. Plug piezo-pickup into allocated jack at the preamp.

10. Put the stereo-endpin through the sound hole into the endpin hole. Adjust the endpin by using inside nut to the top of the base-neck and adjust so the larger threads end just below the surface of the guitar.

ATTENTION: The larger thread has to end inside the frame of your guitar (Fig. 3, arrow).

11. Put the washer from the outside on the endpin jack, tighten the hexagon nut by means of a wrench and screw new strap nut on.

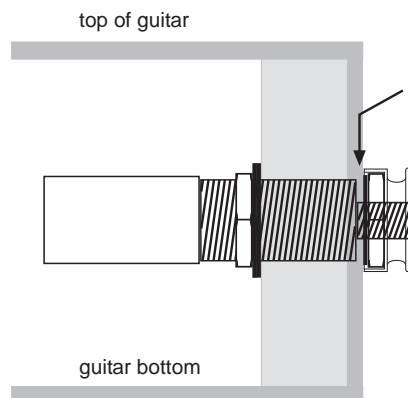


Fig. 3

12. Install the bridge and the pickup, put strings on and tune your instrument. Make sure the strings do not pull the pickup saddle forward to the slot (Fig. 4 and 5).

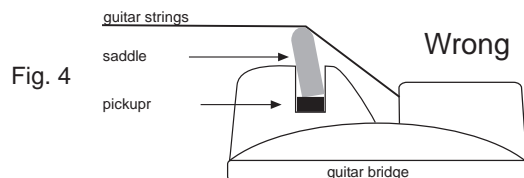


Fig. 4

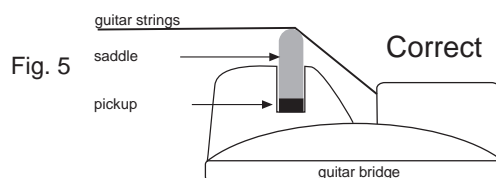


Fig. 5

13. Connect the endpin to an appropriate amplifier. The battery turns automatically on, as soon as you plug guitar cable into the endpin. To spare the battery life, take the cable out, when you are finished.